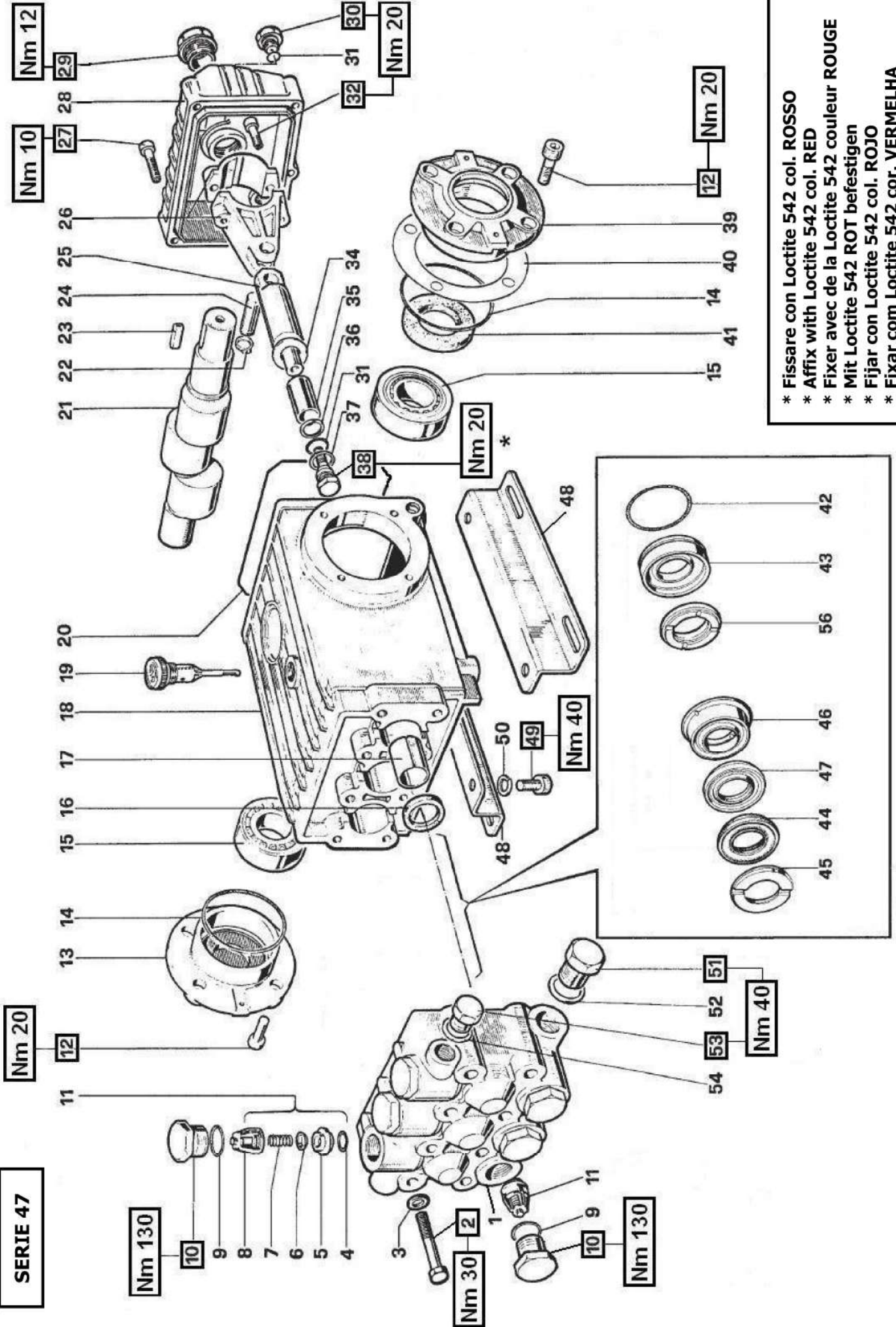


**SERIE 47**



\* Fissare con Loctite 542 col. ROSSO  
\* Affix with Loctite 542 col. RED  
\* Fixer avec la Loctite 542 couleur ROUGE  
\* Mit Loctite 542 ROT befestigen  
\* Fijar con Loctite 542 col. ROJO  
\* Fixar com Loctite 542 cor. VERMELHA

	<b>WS82 - WS101 - WS133</b> <b>WS912 - WS913 - WS102</b> <b>WS131 - WS151 - WS171</b> <b>WS151</b>
<b>OTTONNE BRASS</b>	
<b>WS171 - WS201 - WS916</b> <b>WS152 - WS202 - WS921</b> <b>WS914 - WS922</b>	
<b>NICKEL</b>	

<b>WS82 - WS101 - WS133</b> <b>WS912 - WS913 - WS102</b> <b>WS131 - WS151 - WS171</b> <b>WS914</b>	
<b>OTTONNE BRASS</b>	
<b>WS201 - WS916 - WS152</b> <b>WS202 - WS921 - WS922</b>	
<b>NICKEL</b>	

### KIT RICAMBI - SPARE KITS

KIT Nr.	KIT 1	KIT 2	KIT 3	KIT 6	OTTONNE BRASS		NICKEL		
					KIT 4	KIT 5	KIT 7	KIT 28	KIT 69
Posizioni incluse Positions included	4-5 6-7 8 (11)	16	41	31-34 36-37 38	9-10	9-10	42-43 44-45 46-47 56	44-47 56	46-47
Nr. Pcs.	6	3	2	3	6	6	3	1	3

### DISTINTA - SPARE PARTS

POS	COD.	DESCRIZIONE - DESCRIPTION - KIT	NR
1	47.1201.41 47.1202.41	Testata Ø 20 Testata Ø 20 - NICKEL	1 1
2	99.3206.00	Vite M8x70 UNI 5737	8
3	96.7020.00	Rosetta Ø 8 UNI 1736	8
4	90.3841.00	OR Ø 17.13x2.62 (3068)	1 6
5	36.2003.66	Sede valvola	1 6
6	36.2001.76	Valvola	1 6
7	94.7376.00	Molla Ø 9.4x14.8	1 6
8	36.2002.51	Guida valvola	1 6
9	90.3847.00	OR Ø 20.24x2.62 (3081)	4-5 6
10	98.2220.00 98.2222.00	Tappo M24x2x16.5 Tappo M24x2x16.5 - NICKEL	4 6 5 6
11	36.7032.01	Gruppo valvola	1 6
12	99.3039.00	Vite M8x16 UNI 5931	8
13	47.1511.22	Coperchio cuscinetto	1
14	90.3913.00	OR Ø 67.95x2.62 (3325)	2
15	91.8375.00 91.8377.00	Cuscinetto 32206 Cuscinetto 32206 - WS152-WS202-W921	2 2
16	90.1625.00	Anello rad. Ø 22x32x2.5	2 3
17	90.9126.00	Boccola Ø 22x25x30	3
18	47.0100.22 47.0102.22	Carter Carter - WS152-WS202-W921	1 1

POS	COD.	DESCRIZIONE - DESCRIPTION - KIT	NR
19	98.2106.00	Tappo carico olio G 3/8"	1
20	90.3922.00	OR Ø 133.02x2.62 (3525)	1
21	47.0204.35 47.0206.35 47.0210.35 47.0215.35 47.0217.35 47.0218.35 47.0219.35 47.0230.35	Albero - WS102 Albero - WS151-WS201-W916-W914-W922 Albero - WS131 Albero - WS171 Albero - WS82-WS152-WS202 Albero - WS101-W912 Albero - WS133-W913-W921 Albero - W914-W922	1 1 1 1 1 1 1 1
22	90.0557.00	Anello di fermo Ø 12	6
23	91.4890.00	Linguetta 8x7x35 UNI 6604	1
24	97.7380.00	Spinotto Ø 13x35	3
25	47.0503.56 47.0504.54 47.0505.54	Guida pistone - WS201-W916-WS152-W922 WS202-W921 Guida pistone - WS82-WS101-WS133-W912 W913 Guida pistone - WS102-WS131-WS151 WS171-W914	3 3 3
26	47.0300.01	Biella completa	3
27	99.1837.00 99.1912.00	Vite M6x14 UNI 5931 - WS82-WS101 WS133-W912-W913 Vite M6x30 UNI 5931 - WS102-WS131 WS151-WS171-WS201-W916-WS152-WS202 W921-W914-W922	5 5
28	47.1600.22 47.1601.22	Coperchio carter - WS82-WS101-WS133 W912-W913 Coperchio carter - WS102-WS131-WS151 WS171-WS201-W916-WS152-WS202-W921 W914-W922	1 1
29	97.5968.00	Spia livello olio G 3/4"	1
30	98.2041.00	Tappo G 1/4"x9	1
31	90.3585.00	OR Ø 10.82x1.78 (2043)	6 4
32	99.3099.00	Vite M8x35 UNI 5931	6